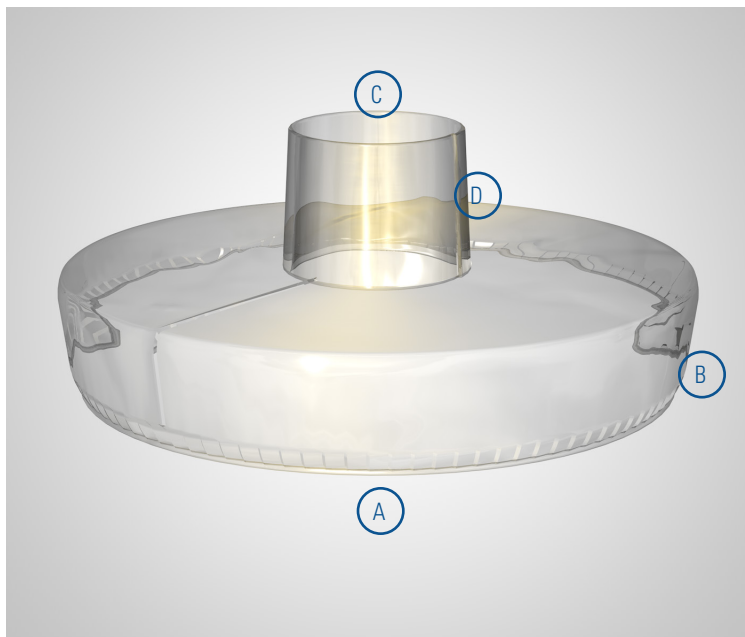




SIFT-SOCK SKETCH FORM

Round Screener / Barrel Cover with Inlet



A: OUTSIDE DIAMETER OF ROUND COVER (IN/MM): _____

B: LENGTH OF CUFF (IN/MM): _____

C: INLET DIAMETER (IN/MM): _____

D: LENGTH OF CONNECTOR (IN/MM): _____

NUMBER OF SUPPORT, NON COLLAPSE RINGS: _____

TYPE OF HEM - INLET

SHOCK CORD HEM

BAND CLAMP HEM

TYPE OF HEM - ROUND COVER

SHOCK CORD HEM

BAND CLAMP HEM

CUFF-WITHIN-A-CUFF YES NO

Cuff-within-a-cuff helps prevent product buildup and leakage. Breather patch option may

be added to release air when filling barrels/totes.

MATERIALS: _____

COMMENTS: _____

APPROVED BY: _____

*Custom Sift-Socks are non-refundable & non-returnable, except in cases of manufacturing defect.
Please confirm the dimensions, construction and material(s) are accurate.*

YOUR NAME _____

SIFTEX DRAWING NUMBER: _____

COMPANY _____

SIFTEX PART NUMBER: _____

PHONE _____

PRICE: _____

EMAIL _____

LEAD TIME: _____

FOR A PROMPT QUOTE FAX/EMAIL THIS FORM TO
860.289.8744 OR CUSTOMERSERVICE@SIFTEX.COM

OFFICE 52D CONNECTICUT AVENUE
SOUTH WINDSOR, CONNECTICUT 06074
WEBSITE WWW.SIFTEX.COM

EMAIL CUSTOMERSERVICE@SIFTEX.COM
PHONE 800-274-3839 / 860-289-8779
FAX 860-289-8744

*Siftex is focused on helping you spend less time with downtime
by providing the innovative products, personal attention, superior
customer service and on-time deliveries you expect.*

